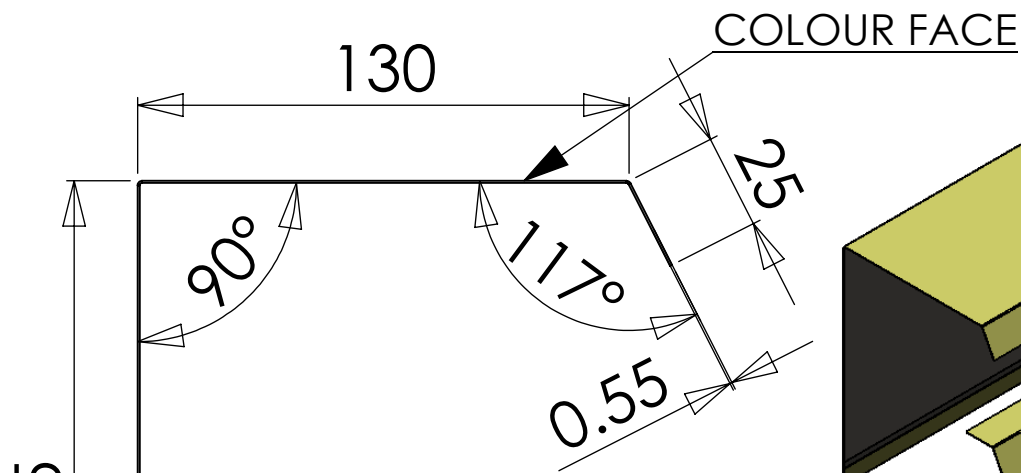
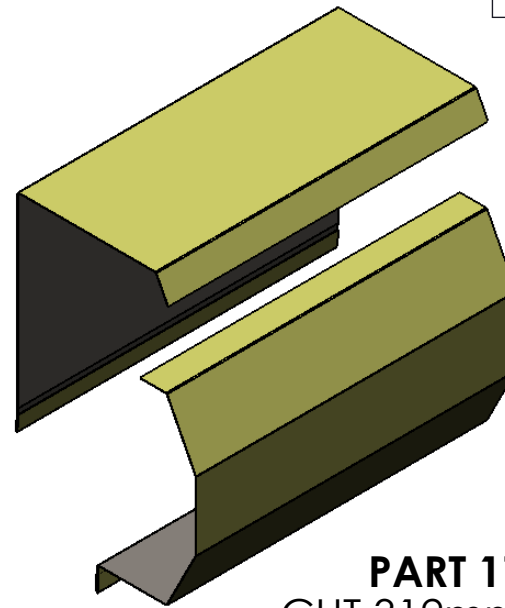


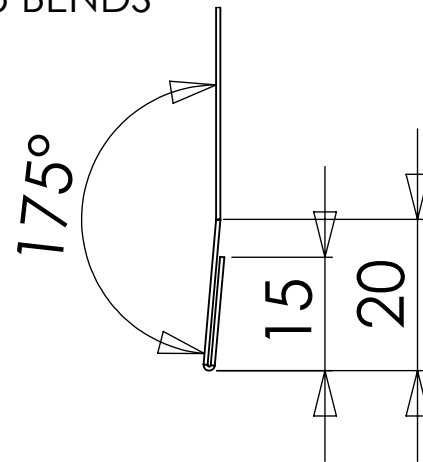
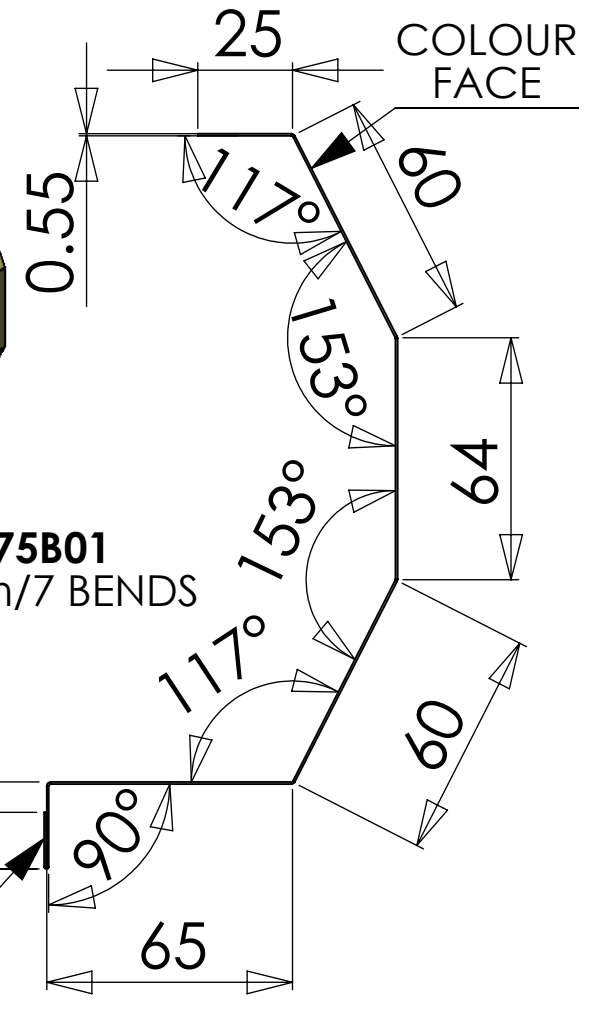
REVISIONS				
ZONE	REV.	DESCRIPTION	DATE	APPROVED



**PART 175A01**  
CUT 364mm/5 BENDS



**PART 175B01**  
CUT 312mm/7 BENDS




**DETAIL A**  
SCALE 1 : 1

**SQUASH FOLD**

**PROPRIETARY AND CONFIDENTIAL**

THE INFORMATION CONTAINED IN THIS DRAWING IS THE SOLE PROPERTY OF ZIPTRAK PTY LTD. ANY REPRODUCTION IN PART OR AS A WHOLE WITHOUT THE WRITTEN PERMISSION OF ZIPTRAK PTY LTD. IS PROHIBITED.

		UNLESS OTHERWISE SPECIFIED:	NAME	DATE	COMMENTS: THIS PELMET IS SUITABLE FOR BLINDS UP TO 3300mm HIGH		
		DIMENSIONS ARE IN M. M	DRAWN	Nir		29-01-2015	
		TOLERANCES:	CHECKED				
		FRACTIONAL ± 0.05	ENG APPR.				
		ANGULAR: ± 0.1 BEND ± 0.01	MFG APPR.				
ONE PLACE DECIMAL ± 0.05	Q.A.			TITLE: <b>175mm PELMET (PART 175A01 &amp; PART 175B01)</b>			
TWO PLACE DECIMAL ± 0.02				Drawing number <b>ZDRW0076</b>	REV 1		
THREE PLACE DECIMAL ± 0.01							
INTERPRET GEOMETRIC TOLERANCING PER:			14 Seaforth Avenue, Somerton Park, S.A 5044 Ph: +61 (8) 83770065 E-mail: ziptrak@ziptrak.com.au		SCALE: 1:2	WEIGHT: 2923gr/lm	SHEET 1 OF 1
MATERIAL ALLOY STEEL							
FINISH							
NEXT ASSY	USED ON						
APPLICATION		DO NOT SCALE DRAWING					